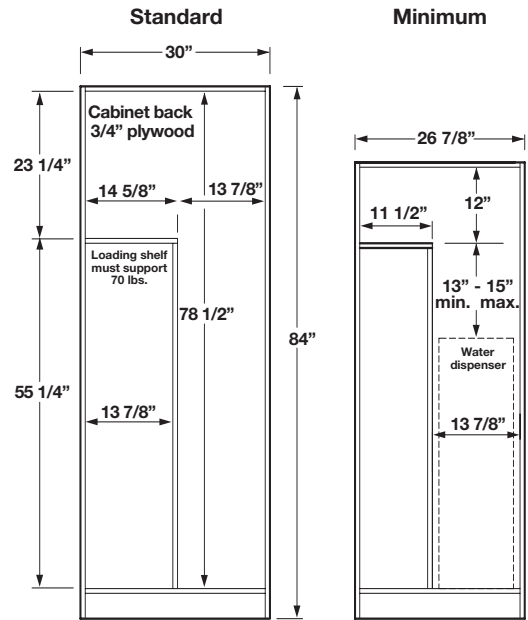


AquaTran Water Loading System

- Eliminates the need for the user to lift and rotate 45 lb. bottles of water
- Permits storage of one or more bottles at the point of use
- Works with most standard water dispensers that use a probe to break the seal
- Preserves the beauty of the design by placing the dispenser within the cabinetry
- The system occupies only 40% of the space in a standard 30" cabinet
- For use in residences, offices, hospitals, etc
- Back panel must be 3/4" thick at point of mounting
- Mounting hardware requires 3/4" protrusion clearance on back of cabinet
- Attaches with 6 fasteners (included)



Recommended Dimensions

AquaTran Water Loading Device

Material: steel

Color	Item No.
stainless	504.51.000
powder-coated, gray	504.51.500

Packing: 1 set (includes mounting hardware and instructions)

To Load Full Bottle:



Store on shelf, roll into place



Set on cradle



Rotate



Release



Ready



AquaTran Cabinet Protector Kit (optional)

Protects cabinet from damage caused by placing bottle on loading shelf in cabinet

Material: lexan, extruded acrylic

	Item No.
clear	504.51.990

Packing: 1 set (includes side and back wall railing, loading shelf strip, retaining ledge and screws)



Can also be mounted directly on the wall.

Dimensions in mm
Inches are approximate